

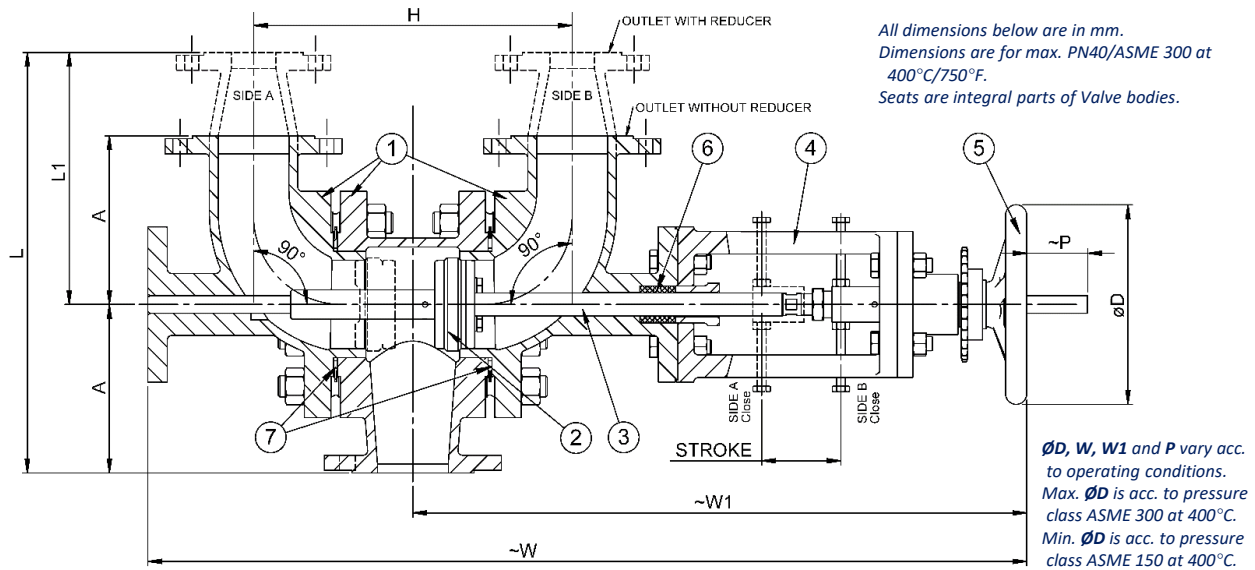
Changeover Valves

Standard & Tandem Valves



SchuFI 

Dimension Sheet Type 60WN (ASME 150-300# / PN16-40)



SIZES		A	H	L1 for Reducer		Max				Stroke	Min ØD	Zeta*	Weight (Kgs)
ASME 150-300	DIN PN16-40			ASME/DIN	L1	ØD	W1	W	P				
1"	25	115	190	---	---	160 ^{a)}	515	665 / 673	30	45	160 ^{a)}	0.65	45
1½"	40	150	265	---	---	225 / 280	593	665 / 673	35	55	160 ^{a)}	0.65	65
2"	50	150	265	1" / 25	205	225 / 360	625	845	45 / 65	60	160 ^{a)}	0.75	85
				1½" / 32	---								
				1½" / 40	---								
2½"	65	190	360	---	---	360	682	962	80	80	225 ^{a)}	0.65	115
3"	80	190	360	1½" / 40	255	280 / 360	675 / 690	975 / 990	70 / 95	90	225 ^{a)}	0.75	150
				2" / 50	255								
				2½" / 65	---								
4"	100	230	460	2" / 50	---	360 / 400	790 / 820	1140 / 1170	115 / -	112	225	0.8	180
				2½" / 65	---								
				3" / 80	300								
5"	125	230	460	---	---	360	795	1145	145	135	225	0.7	285
6"	150	280	600	3" / 80	380	560	1035	1480	175	165	280	0.9	350
				4" / 100	380								
				5" / 125	---								
8"	200	370	800	4" / 100	---	800	1235	1840	225	218	360	0.6	600
				5" / 125	---								
				6" / 125	490								
10"	250	430	900	5" / 150	---	800	1345	2010	270	262	360	0.8	925
				6" / 200	570								
				8" / 200	570								
12"	300	440	950	---	---	---	---	---	---	---	---	---	---
14"	350	470	1090	---	---	---	---	---	---	---	---	---	---
16"	400	480	1140	---	---	---	---	---	---	---	---	---	---

Part	Part number	Material version and temperature range in °C				
		from -29 to 425	from -46 to 340	from -46 to 340	from -184 to 425/538	from -46 to 340
		WCB	LCB	LCC	Stainless Steel	LCC/Monel Trim version
Body	1	WCB	LCB	LCC	CF3/CF8M	LCC
Disc	2	316	316	316	316	Monel 400
Spindle	3	316	316x	316	316	Monel 400
Yoke	4	WCB/CF3/CF8	WCB/CF3/CF8	WCB/CF3/CF8	CF3/CF8	CF3/CF8
Handwheel	5	C.I	C.I	C.I	C.I	C.I
Packing	6	PTFE/Graphite	PTFE/Graphite	PTFE/Graphite	PTFE/Graphite	PTFE/Graphite
Gasket	7	PTFE/316L	PTFE/316L	PTFE/316L	PTFE/316L	PTFE/Monel

NOTES:

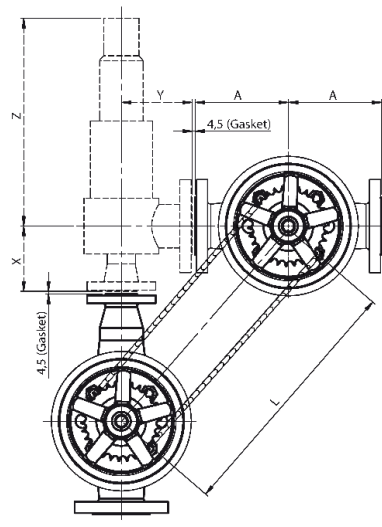
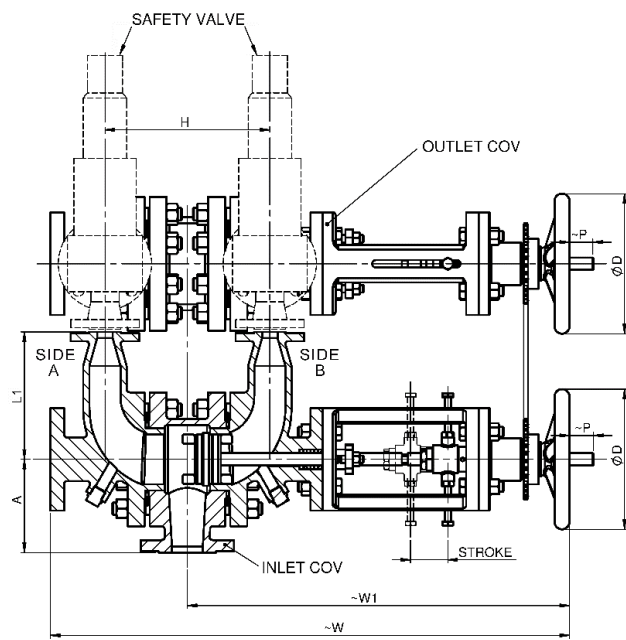
* Zeta values are only applicable for valves without Reducers.

a) Actuator with rising handwheel: Note that other actuators with non-rising handwheel and spindle will protrude "P" mm, at the point where disc seals at Side B.

All weights are approximate.

- Note that from Size 1" to 2", the valves use a disc/fins design, rather than a guide rod at side A.

Dimension Sheet - Type 69WN (ASME Class 150-300 / PN16-40)



All dimensions are in mm.
 Dimensions are for max PN40/ASME 300 at 400°C/750°F.
 Seats are integral parts of Valve bodies.

ØD, W, W1 and P vary acc. to operating conditions.
 Max. ØD is acc. to pressure class ASME 300 at 400°C; Min. ØD is acc. to pressure class ASME 150 at 400°C.

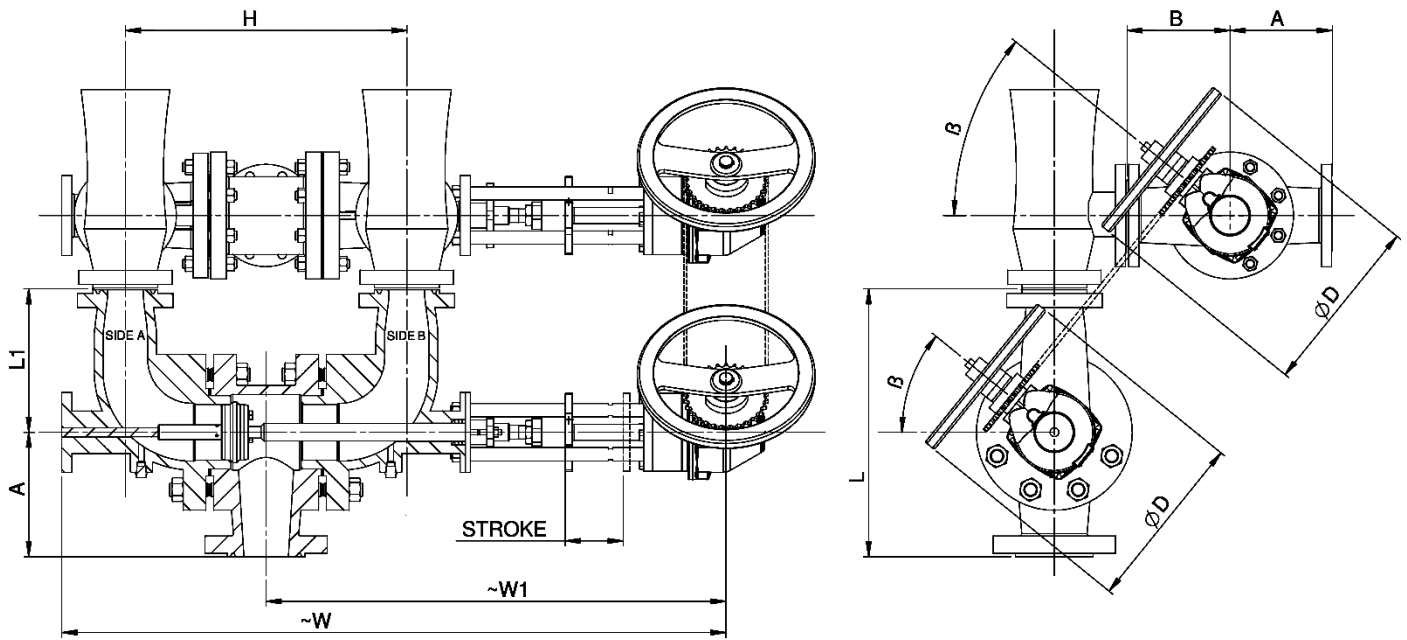
* Marked valves below shall have external reducers bolted to the valve.

NOTES:
 All weights are approximate.
 Actuators with non-rising handwheel and spindle will protrude "P" mm at the point where disc seals at Side B.

- Note that from Size 1" to 2", the valves use a disc/fins design, and not a guide rod at Side A.

COV DIMENSIONS											
	SIZES		A	L1	H	Max.				Weight Kgs	STROKE
	ASME (150-300)#	DIN PN(16-40)				ØD 150#-300#	W1 150#-300#	W 150#-300#	P 150#-300#		
INLET COV	2"x1"x1"	50x25x25	150	205	265	225/360	655	875	45/65	170	60
* INLET COV	2"x1¼"x1¼"	50x32x32		264/270							
* INLET COV	2"x1½"x1½"	50x40x40		267.5/274.5							
OUTLET COV	2"x2"x2"	50x50x50		NA							
INLET COV	3"x1½"x1½"	80x40x40	190	255	360	280/360	710/720	1010/1020	70/95	300	90
INLET COV	3"x2"x2"	80x50x50		255							
* INLET COV	3"x2½"x2½"	80x65x65		315.5/322.5							
OUTLET COV	3"x3"x3"	80x80x80		NA							
* INLET COV	4"x2"x2"	100x50x50	230	359.5/370.5	460	360/560	820/860	1140/1210	115/120	410	112
* INLET COV	4"x2½"x2½"	100x65x65		362.5/373.5							
INLET COV	4"x3"x3"	100x80x80		300							
OUTLET COV	4"x4"x4"	100x100x100		NA							
INLET COV	6"x3"x3"	150x80x80	280	380	600	560	1065	1510	175	850	165
INLET COV	6"x4"x4"	150x100x100		380							
* INLET COV	6"x5"x5"	150x125x125		435.5/457.5							
OUTLET COV	6"x6"x6"	150x150x150		NA							
* INLET COV	8"x4"x4"	200x100x100	370	582/603	800	800	1265	1870	225	1500	218
* INLET COV	8"x5"x5"	200x125x125		582/606							
INLET COV	8"x6"x6"	200x150x150		490							
OUTLET COV	8"x8"x8"	200x200x200		NA							
* INLET COV	10"x5"x5"	250x125x125	430	669/698	900	800	1375	2040	270	1750	262
INLET COV	10"x6"x6"	250x150x150		570							
INLET COV	10"x8"x8"	250x200x200		570							
OUTLET COV	10"x10"x10"	250x250x250		NA							

Dimension Sheet - Type 60WN and 69WN Combination (ASME Class 600 / PN63-PN100)



COV standard dimensions

SIZES		A	B	H	L1 for REDUCER	L	BEVEL GEAR BOX			STROKE	Zeta*	
ASME (600#)	DIN (PN63- 100)						øD	W1	W			
2"	50	175	175	305	1"/25	235	410	400	755	995	60	0.75
3"	80	220	230	452	2"/50	280	500	400	910	1260	90	0.75
4"	100	280	280	635	3"/80	320	600	400	1095	1560	140	0.8
6"	150	300	300	680	4"/100	500	800	500	1250	1850	165	0.9

All dimensions are in mm.

Dimensions are for max. PN100/ASME 600 at 200°C/392°F.

Seats are integral part of Valve bodies.

* Zeta values are only applicable for valves without Reducers.

øD, W, W1 and P vary acc. to operating conditions.

NOTES:

- The 2" valve design uses an NF actuator together with a disc/fins design, and not a guide rod at Side A.

- Angular dimension β is approx. 45° and subject to change depending on possible safety valve dimensions.

Applications

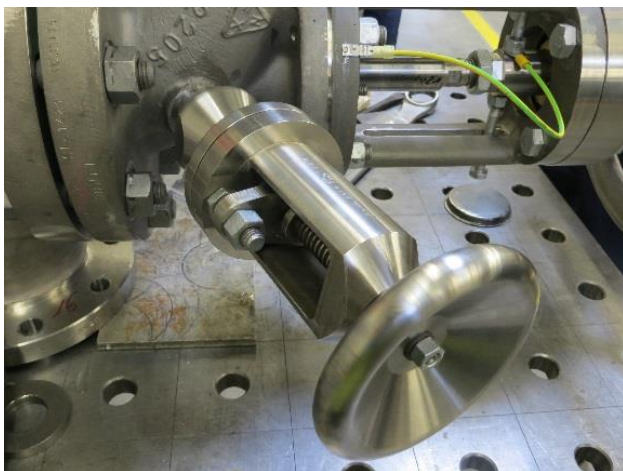
- Refining, Polymer, Chemical, Petrochemical and Offshore industries
- Part of plant safety dual pressure relief systems
- Located e.g. on storage tanks, in pumping or fluid transfer systems, between multiple heat exchangers or dual filtration systems.



Offshore
Changeover Valve

Advantages

- Switch over quickly and efficiently from one relief valve system to another
- Shorter transfer time in hostile plant environments provides greater worker safety
- No production system shutdown



Flushing connection/valve



Changeover valves in the workshop

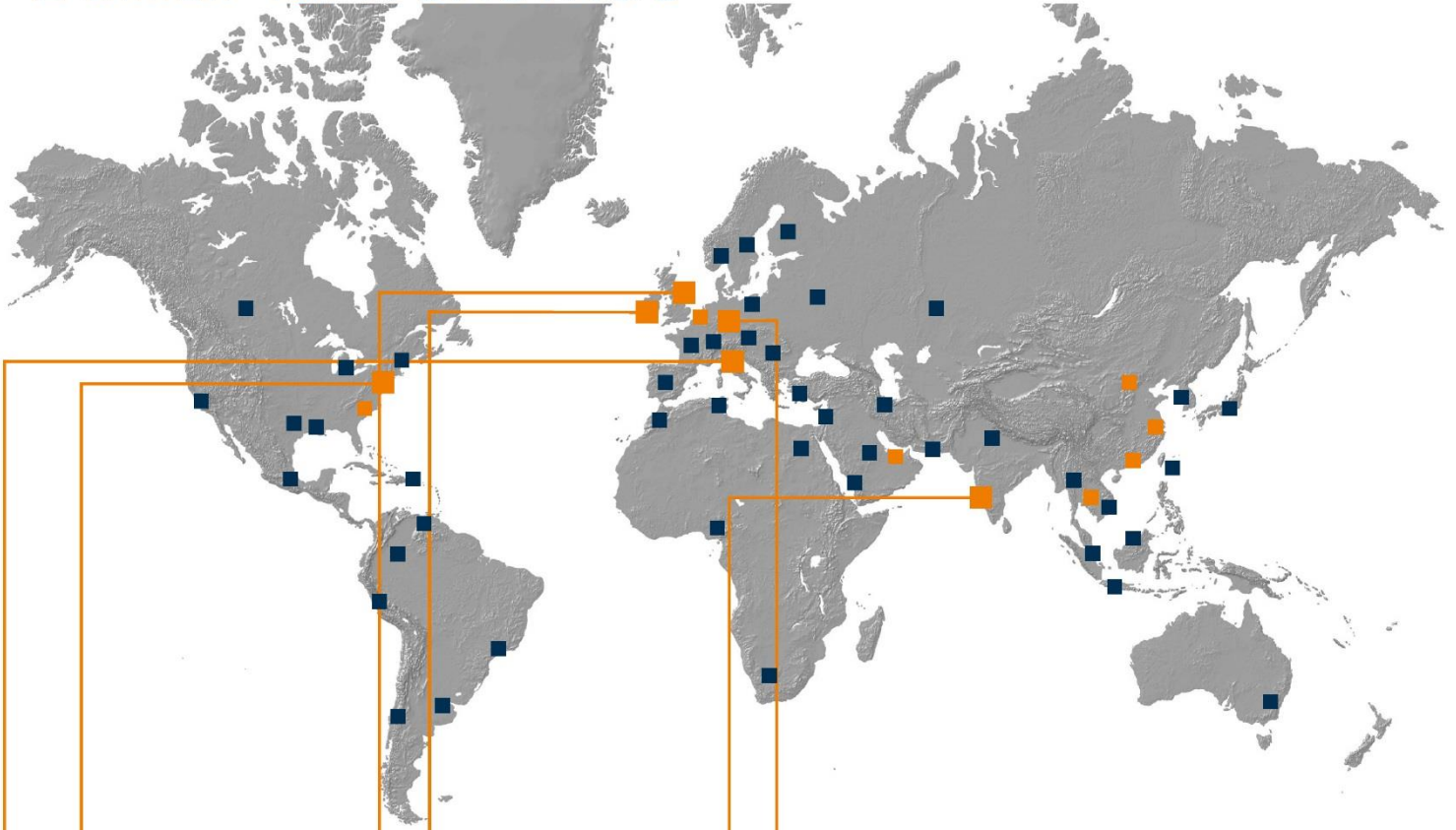
Design Options

- Included reducers for safety valve mounting
- Bellow sealing for zero leakage to atmosphere
- Flushing valves
- Bleed/vent valves
- Heating jacket
- Automated actuation
- Special materials available on request
- Material according to NACE standard available

KEY FEATURES

- Sizes: 1" to 10", larger on demand
- Pressure rating: up to ASME #2500
- Leakage rate to process: Class V or VI
- Temperature rating: from -60 to +500°C
- Pressure drop: <3%, <1
- Improved body design for lower weight and Zeta value
- Material: Carbon steel and Stainless Steel as standard
- Disc and seat metal sealing as standard
- Manual actuation as standard

SchuF Worldwide



www.schuf.com

www.schuf.de

USA



Fetterolf Corporation
phone: +1 610 584-1500
info@fetterolfvalves.com

SchuF (USA) Inc.
phone: +1 843 8813345
sales@schuf.us

IRELAND



SchuF Valve Technology GmbH
phone: +353 21 4837000
sales@schuf.ie

GERMANY



**SchuF-Armaturen
und Apparatebau GmbH**
phone: +49 6198 571 100
sales@schuf.com

Your Sales Channel:

SchuF Benelux B.V.
phone +31 25 12 34 448
lmulder@schuf.com

SchuF Middle East F.Z.C.
phone: 971 56 424 2190
mmulder@schuf.com

SchuF South East Asia Pte. Ltd.
phone +353 877774860
ecalnan@schuf.ie

SchuF Valves China Ltd.
phone +85 22 86 50 861
pchoi@schuf.com

ITALY



La Tecnovalvo S.r.l.
phone: +39 023503508
info@latecnovalvo.com

UNITED KINGDOM



SchuF (UK) Ltd.
phone: +44 203 355 2012
sales@schuf.ie

INDIA



**SchuF Speciality Valves
India Pvt. Ltd.**
phone: +91 421 2264600
sales@schuf-india.com

Your Local Agent: